

# CURVE 2.5

## PERIMETER

### CERTIFICATIONS & COMPLIANCE

CCEA  
Chicago  
plenum



Declare.  
Red List Approved



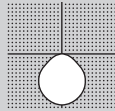
### FEATURES

5 YEAR  
limited  
warranty



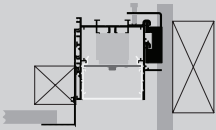
### PERFORMANCE

- Up to 106lm/W efficiency
- 455 / 750lm/ft
- CRI > 80 & CRI > 90
- IC & Damp rated



### MOUNTING

Perimeter



### PATTERNS



\*X Shapes Angular

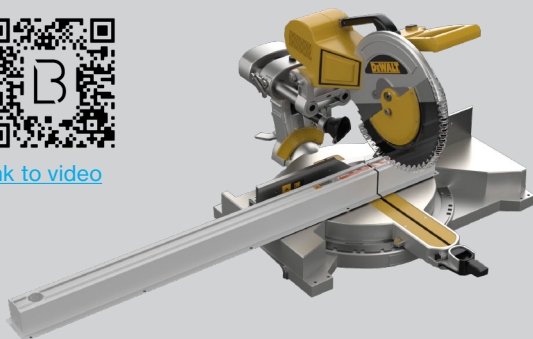
For customization, please contact customer service

### FIELD-CUTTABLE FLEX

Down to 1/16"



[link to video](#)



### Catalog Number Example

CURVE 2.5-PM-RTR-BL-OP-30K-C80-UNV-010V-SEN-0500LF-NLC-ST-96IN

A B C D E F G H J K L M N O

### A RANGE

CURVE 2.5 CURVE 2.5

### K SENSOR (optional)

Integrated Sensor SEN  
consult customer service for sensor request

### B SUB CATEGORY

Perimeter PM

### C MOUNTING

CS Recessed trimless	R T L
CS Recessed with trim	R T R
CS Armstrong Suprafine 9/16" G	A 9 G
CS Armstrong Interlude 9/16" SG	A 9 S
CS Armstrong Silhouette 9/16" BSG	A 9 S
CS Armstrong Prelude 15/16" G	A 1 5
CS 9/16" Grid (any brand)	G R D
CS 9/16" Slot Grid (any brand)	G R D
CS 15/16" Grid (any brand)	G R D
Custom	X X X

### J OUTPUT LM/FT

CS 500lm/ft 100% ‡	0 5 0 0 L F
CS 750lm/ft 100% ‡	0 7 5 0 L F
CS 1000lm/ft 100% ‡	1 0 0 0 L F
Custom lm/ft	X X X X L F

custom lumen up to 1200 lm/ft

### M CIRCUIT / EM

CS Single circuit	*
EMC night light circuit	N L C
EMB available in 4ft and 8ft	EM #

\* leave blank

### D COLOR

CS White	W H
CS Black	B L
Gray	G R
Custom color RAL	X X X

trimless version available in white only

### K RADIUS IN INCH

18"	RA - 1 8 I N
24"	RA - 2 4 I N
30"	RA - 3 0 I N
36"	RA - 3 6 I N
48"	RA - 4 8 I N
60"	RA - 6 0 I N
120"	RA - 1 2 0 I N

for custom radii, please contact customer service

### E LENS REGRESSION

HP opal cover flush	O P
HP opal cover 1" regressed	O 1
HP opal cover 2" regressed	O 2

fixture depth is field-adjustable

### L ANGLE

22.5° *	A 2 2
45° ≥ R36" only	A 4 5
67.5° *	A 6 7
90°	A 9 0
112.5° *	A 1 1 2
135°	A 1 3 5
157.5° *	A 1 5 7
180°	A 1 8 0
202.5° *	A 2 0 2
225°	A 2 2 5
247.5° *	A 2 4 7
270°	A 2 7 0
292.5° *	A 2 9 2
315°	A 3 1 5
337.5° *	A 3 3 7

\* ≥ R120" only; for custom angles, please contact customer service

### F END CAP DETAIL

Trim endcap (RTR only)	T R
Trimless endcap - wall to wall	T L
Invisible endcap - wall to wall	I N

### G CCT

2700K	2 7 K
CS 3000K	3 0 K
CS 3500K	3 5 K
4000K	4 0 K

### H CRI

CRI > 80	C 8 0
CRI > 90	C 9 0

### I VOLTAGE

120V / 277V UNV

### J DIMMING



CS 0-10V 1%	0 1 0 V
Lutron EcoSystem	L E S 1
Quantum, Vive, GRAFIK Eye, HomeWorks	
Power over ethernet	P O E C
consult customer service for compatibility	
Custom dimming	X X X X
consult customer service for compatibility	

### P CERTIFICATION (optional)

Chicago Plenum CCEA  
Red List Approved R L A

BASO  
basolighting.com

### Technical data

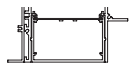
	SIZE TYPE	LED COLOR TEMPERATURE	INPUT WATTS	DELIVERED LM TOTAL	LIGHT DISTRIBUTION	DELIVERED LM DIRECT	DELIVERED LM INDIRECT	OPTICAL EFFICIENCY	LUMINAIRE EFFICACY
<b>BASO DIRECT</b>									
 e LED	2' linear	40K	8.7W	900lm	100% down	455 lm/ft	-	74%	106lm/W
	4' linear		17.5W	2200lm					
	6' linear		25.8W	2700lm					
	8' linear		34.4W	4400lm					
	2' + 2' corner		17.5W	4400lm					
 e² LED	2' linear	40K	14.7W	1500lm	100% down	750 lm/ft	-	74%	102lm/W
	4' linear		29.5W	3000lm					
	6' linear		44.2W	4500lm					
	8' linear		59W	6000lm					
	2' + 2' corner		29.5W	6000lm					

for 30K or 35K multiply lm value by 0.96

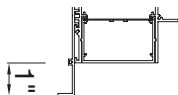
### Perimeter depth

field adjustable

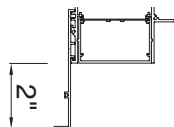
#### FLUSH



#### REGRESSED 1"



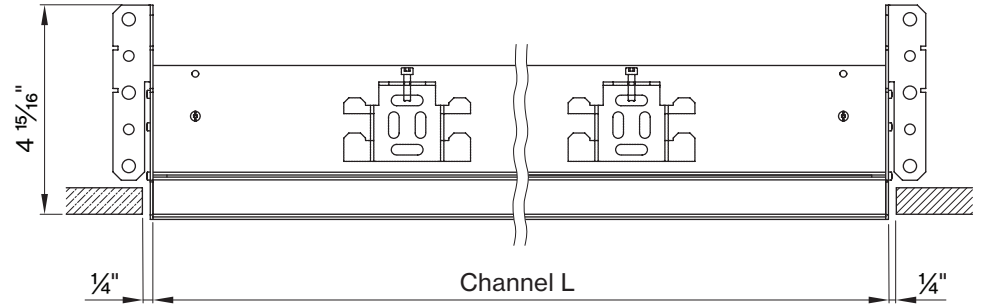
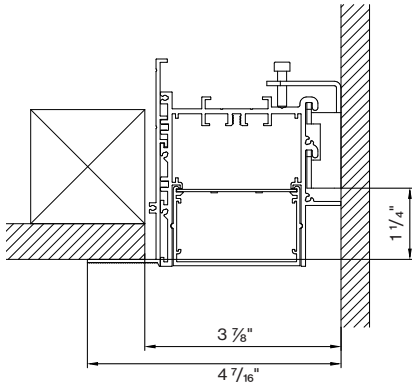
#### REGRESSED 2"



DIMENSIONS

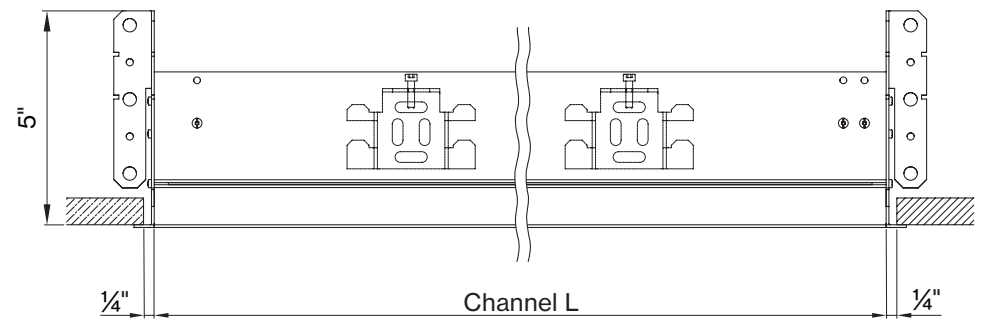
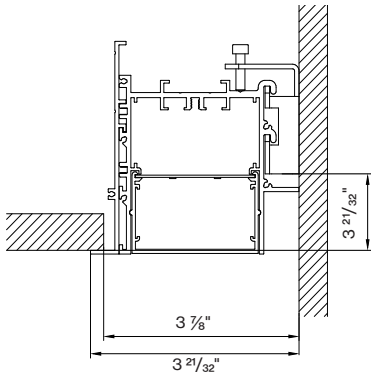
**CURVE 2.5 PERIMETER**

trimless flush



please see BASO 2.5 PERIMETER mounting instructions for regressed dimensions

with trim flush



please see BASO 2.5 PERIMETER mounting instructions for regressed dimensions

**Declare.**

**CURVE/CIRCLE 1.5 2.5 4.0**  
**BASO Inc.**

Final Assembly: Collins, Connecticut, USA  
 LDC (Manufacturer's Brand)  
 End of Life Options: Recyclable (DfDL), Landfill (DfUL)

**Ingredients:**  
 Aluminum, Copper, Bronze, (Cu/Zn), Phosphoric acid, 2-methyl-2-butyl ester, polymer with styrene, 2-oxopropanoic, Styrene, polyethylene, chemically crosslinked, Saturated, Acrylic, Methacrylate, Silicon, Polysiloxane, (Si-O-Si), Hexamethyltrimethylsilane, Acrylic acid, ethyl acrylate, polymer with ethylene, Copper, Polypropylene, Polypropylene, hydroxide, Tin, Organic, Zinc

**Living Building Challenge Criteria Comply:**  
 LBC Temp Exception: RC-002 - Small Electrical Components

**100 Red List:**  
 LBC Red List Free: Not Disclosed 100% at 100ppm  
 LBC Red List Approved: VOC Content: Not Applicable  
 Declared

**100 Interior Performance:** Not Applicable  
**100 Responsible Sourcing:** Not Applicable

BASO-0001  
 2021 (Initial Issue)  
 Original Issue Date: 2022

INTERNATIONAL LEANING LEADERSHIP™ | www.declareproject.com

**CURVE mounting instructions**

Get access to the CURVE 2.5 mounting instructions faster by scanning the QR code.

<https://www.basolighting.com/resources/mounting-instructions/baso>

